

## DS-2XM6825G1/C-IV(S)(M)(/ND)(/RS485) Mobile People Counting Network Camera



- High quality imaging with 2 MP resolution
- Efficient H.265+ compression technology
- Clear imaging against strong back light due to 105 dB WDR technology
- Water and dust resistant (IP66) and vandal resistant(IK08)

## ▪ Specification

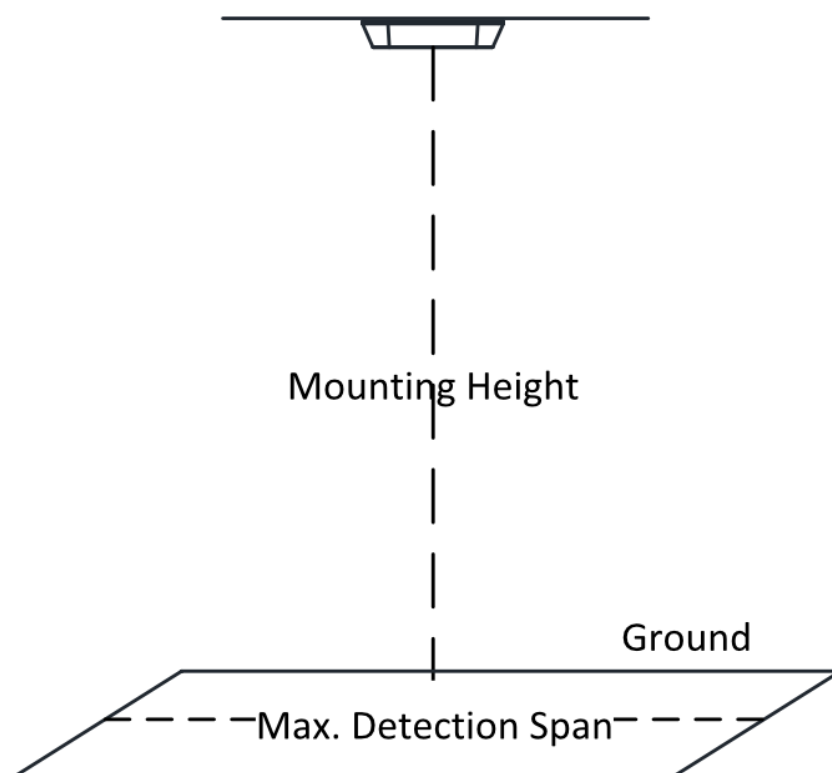
| Camera                   |  |
|--------------------------|--|
| Image Sensor             | 1/2.8" Progressive Scan CMOS   |
| Min. Illumination        | Color: 0.002 Lux @ (F1.2, AGC ON), 0.007 Lux @ (F2.25, AGC ON)<br>B/W: 0.0002 Lux @ (F1.2, AGC ON), 0.0007 Lux @ (F2.25, AGC ON)   |
| Shutter Speed            | 1/3 s to 1/100, 000 s  |
| Resolution               | 1920 × 1080  |
| Day & Night              | IR cut filter  |
| Angle Adjustment         | Pan: 0°<br>Tilt: 0° to 25°<br>Zoom: 0°   |
| Lens                     |  |
| FOV                      | Horizontal FOV:108°, Vertical FOV: 74°, Diagonal FOV:115°  |
| Focal Length             | 2mm  |
| Lens Mount               | M12  |
| Max. Aperture            | F2.25  |
| Illuminator              |  |
| IR Wavelength            | 850 nm   |
| IR Range                 | Up to 3 m IR range   |
| Video                    |  |
| H.264+                   | Main stream, Sub-stream, Third stream  |
| H.265+                   | Main stream, Sub-stream, Third stream  |
| Main Stream              | 50Hz: 25fps (1920 × 1080, 1440 × 900);<br>60Hz: 30fps (1920 × 1080, 1440 × 900)  |
| Sub-Stream               | 50Hz: 25fps (704 × 576, 640 × 480)<br>60Hz: 30fps (704 × 576, 640 × 480)   |
| Third Stream             | 50Hz: 25fps (1920 × 1080)<br>60Hz: 30fps (1920 × 1080)   |
| Video Compression        | Main stream: H.265+/H.265/H.264+/H.264<br>Sub stream: H.265+/H.265/H.264/ H.264+/MJPEG<br>Third stream : H.265+/H.265/H.264+/H.264 |
| Video Bit Rate           | Main stream: 512Kbps to 16Mbps<br>Sub stream: 256Kbps to 4Mbps<br>Third stream : 256Kbps to 4Mbps                                  |
| H.264 Type               | Baseline Profile/Main Profile/High Profile   |
| H.265 Type               | Main Profile   |
| Region Of Interest (ROI) | Support 2 fixed region for (main/sub) stream   |
| Network                  |  |
| Protocols                | TCP/IP, ICMP, HTTP, HTTPS, FTP, DHCP, DNS, DDNS, RTP, RTSP, RTCP, NTP, UPnP, SMTP, SNMP, IGMP, 802.1X, QoS, IPv6, UDP, SSL/TLS     |
| Simultaneous Live View   | Up to 16 channels(Main Stream and Sub Stream each 8 channels)  |
| API                      | ONVIF (PROFILE S, PROFILE G), ISAPI, SDK   |
| User Management          | Up to 16 users of 3 levels of user authority: administrator, operator and common user  |
| Web Browser              | IE8+, Chrome41+, Edge16+, Firefox30+   |

| <b>Image</b>                     |   |
|----------------------------------|---|
| Picture Overlay                  | Support overlay of a 24 bit BMP picture of 128×128; support the picture uploading, enable the overlay, and set the coordinate of the picture.   |
| DNR                              | Support   |
| Image Settings                   | Brightness, contrast, saturation, white balance, AGC and sharpness can be adjusted via browser and client   |
| Day/Night Switch                 | Day, Night, Auto, Scheduled, Triggered by alarm   |
| Image Enhancement                | HLC, BLC, 2D DNR, 3D DNR, defog   |
| <b>Interface</b>                 |   |
| Local Storage                    | Built-in Micro SD/Micro SDHC/Micro SDXC Slot, up to 256 GB(not for baseline. Note the Micro-SD card capacity when ordering)   |
| Alarm                            | 2 channels of alarm input, 2 channels of alarm output   |
| RS-485                           | 1 channels of RS-485  |
| Interface Type                   | Built-in  |
| <b>Deep Learning Function</b>    |   |
| People Counting                  | Support counting people entering and exiting separately;<br>Support real-time and scheduled uploading of the statistics;<br>Support filtering target by height.                         |
| <b>Event</b>                     |   |
| Basic Event                      | Video tampering, exception (disk full, disk error, illegal login)   |
| Linkage Method                   | Upload to FTP, notify monitoring center, send email, alarm output   |
| <b>General</b>                   |   |
| Product Dimension                | 230 mm × 100 mm × 50 mm (9.1" × 3.9" × 2.0")  |
| Package Dimension                | 280 mm × 135 mm × 135 mm(11" × 5.3" × 5.3")   |
| Product Weight                   | Approx. 640 g (Approx. 1.4 lb.)   |
| With Package Weight              | Approx. 960 g (Approx. 2.1 lb.)   |
| Power                            | PoE: 0.30 A to 0.20 A, max: 10W<br>DC: 0.83-0.21A, max 7.5W   |
| Power Supply                     | IMS: DC 9 V to 36 V, PoE (802.3af, , 36 V to 57 V)<br>IS: DC 9 V to 36 V, PoE (802.3af, , 36 V to 57 V)   |
| Power Interface                  | IMS: Molex, M12-4F/S, 2 alarm channels, 485<br>IS: RJ45-F, DC-J, 2 alarm channels, 485  |
| Camera Material                  | Metal   |
| Startup and Operating Conditions | -30°C to 75° C (-22°F to 167°F). Humidity 95% or less (non-condensing)  |
| General Function                 | Reset, anti-flicker, heart beat, water mark, password protection, IP address filter   |
| Language                         | English, French, German, Russian, Italian, Korean, Portuguese, Spanish, Turkish, Polish, Czech  |
| Cable Length                     | IMS: 4-core aviation plug, 300 mm<br>IS: RJ45, 360mm  |
| <b>Approval</b>                  |   |
| EMC                              | 47 CFR Part 15, Subpart B; EN 55032: 2015, EN 61000-3-2: 2014, EN 61000-3-3: 2013, EN 50130-4: 2011 +A1: 2014; AS/NZS CISPR 32: 2015; ICES-003: Issue 6, 2016; KN 32: 2015, KN 35: 2015 |
| Safety                           | IEC 60950-1:2005 + Am 1:2009 + Am 2:2013, EN 60950-1:2005 + Am 1:2009 + Am 2:2013, IS 13252(Part 1):2010+A1:2013+A2:2015  |

|                              |  |
|------------------------------|--|
| Environment                  | 2011/65/EU, 2012/19/EU, Regulation (EC) No 1907/2006             |
| Electrical Safety Protection | Ingress protection: IK08 (IEC 62262:2002), IP66 (IEC 60529-2013) |
| Automotive and Railway       | EN 50155-2017; E-MARK, R118, EN45545, 50121-3-2                  |

## Installation Recommendation

The following table shows the relations among focal length, mounting height, and max. detection span. For detailed installation advice, please contact the technical support of HIKVISION.



| Focal Length (mm) | Mounting Height (m) | Max. Detection Span (m) |
|-------------------|---------------------|-------------------------|
| 2.0               | 1.9                 | 1.25                    |
| 2.0               | 2.0                 | 1.53                    |
| 2.0               | 2.1                 | 1.81                    |
| 2.0               | 2.2                 | 2.08                    |
| 2.0               | 2.3                 | 2.36                    |
| 2.0               | 2.4                 | 2.64                    |

### ▪ Available Models

DS-2XM6825G1/C-IMS(2mm)

DS-2XM6825G1/C-IS(2mm)

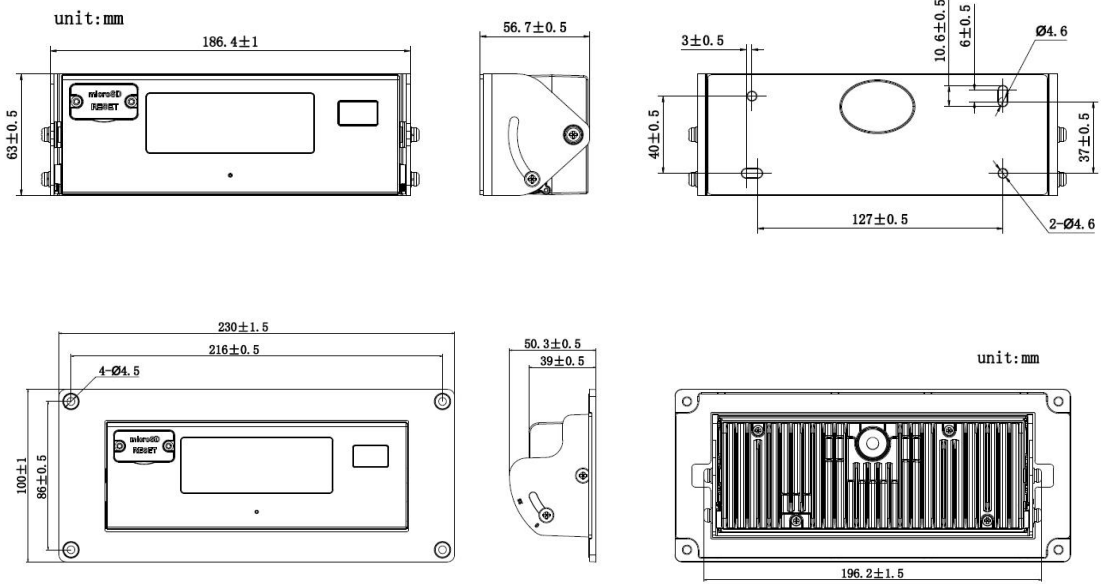
DS-2XM6825G1/C-IVSM(2mm): M12(POE)+DC power +alarm in/out\*2

DS-2XM6825G1/C-IVSM/RS485(2mm): M12(POE)+DC power +BNC +alarm in/out\*2+RS485 + M12 to RJ45 cable

DS-2XM6825G1/C-IVS(2mm): RJ45(POE)+DC Power +BNC +Audio in/out +alarm in/out\*2+RS485

DS-2XM6825G1/C-IVM/ND(2mm): M12 POE

▪ Dimension



**Headquarters**

No.555 Qianmo Road, Binjiang District,  
Hangzhou 310051, China  
T +86-571-8807-5998  
www.hikvision.com



Follow us on social media to get the latest product and solution information.

